

EN YAMAHA VX 2017+

Overview

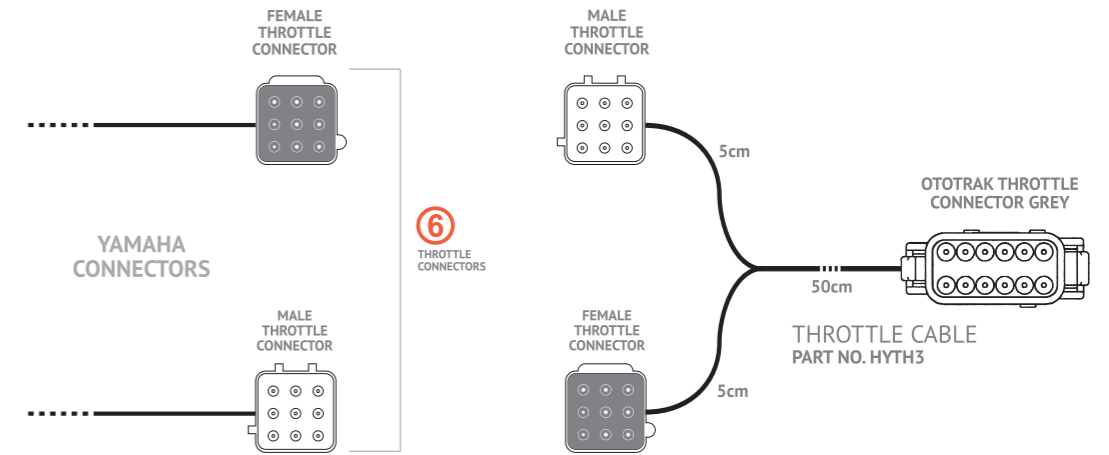
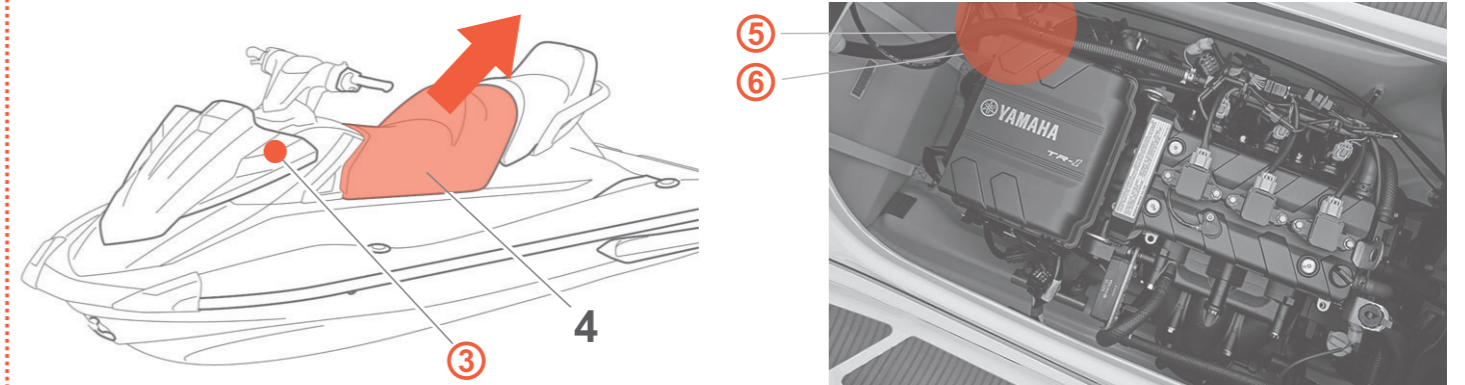
To install Ototrak module you will need drill with a drill bit 3.2mm, phillips screwdriver, 10mm wrench and some silicone grease (**not silicone spray**) for watertight seal on connectors. Package contains Ototrak module, mounting bracket, screws and Yamaha EX cables.



OTOTRAK MODULE WITH MOUNTING BRACKET
PART NO. OTY02

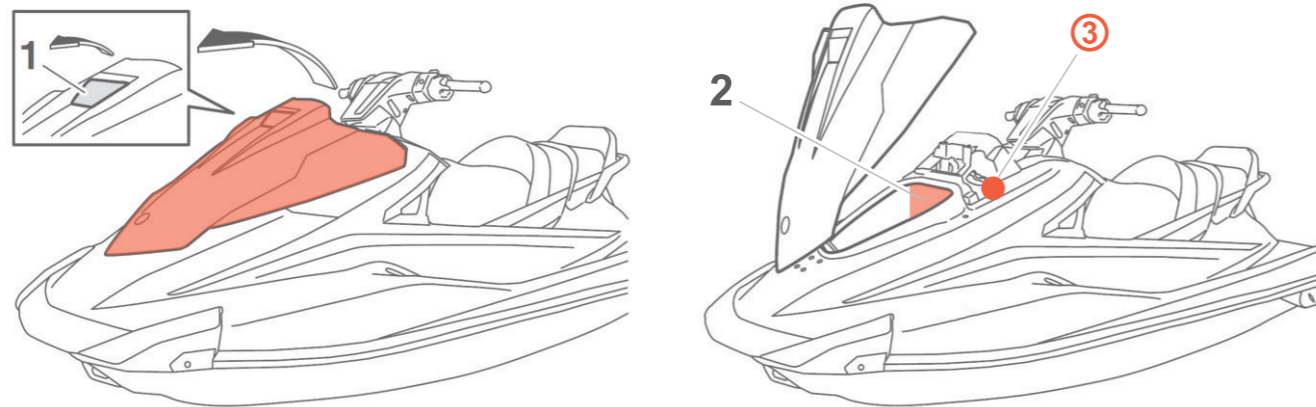
Connecting Ototrak

After you have installed Ototrak, lift up the **front seat (4)** to access engine compartment. In the compartment's front right corner you will find the **connectors for power (5) and throttle (6)**. **Buzzer connectors (3)** are located under the bow hood, same as the previously installed **Ototrak module position (3)**. Disconnect Yamaha's throttle, power and buzzer connections and then connect Ototrak cables as shown below.



Ototrak installment position

Lift up the hood by releasing **hood latch (1)**. Underneath is a bow storage compartment. Remove storage compartment's **side cover (2)** and under the steering (handlebar) you will find **buzzer connectors (3)**. **Module (3)** is installed inside, under the handlebar.



NOTE: For GPS to work correctly, module must be installed with antenna side (indicated by the IMEI sticker) facing upwards (towards the sky).

