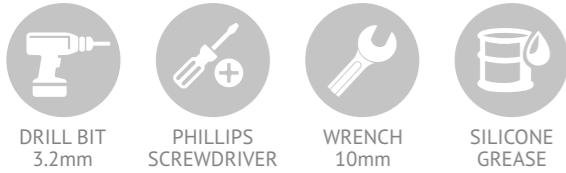


# EN YAMAHA VX-C

## Overview

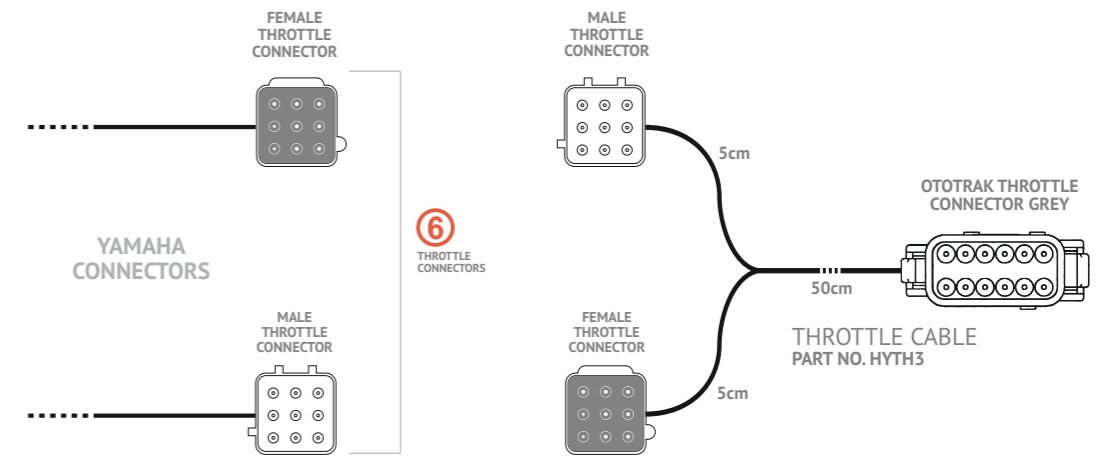
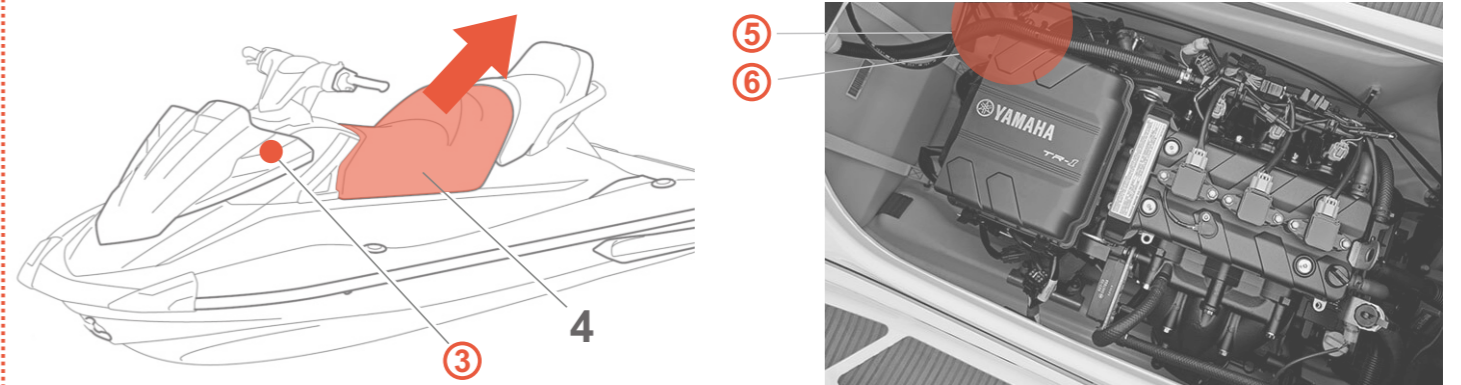
To install Ototrak module you will need drill with a drill bit 3.2mm, phillips screwdriver, 10mm wrench and some silicone grease (**not silicone spray**) for watertight seal on connectors. Package contains Ototrak module, mounting bracket, screws and Yamaha VX-C cables.



OTOTRAK MODULE WITH MOUNTING BRACKET  
PART NO. OTY02

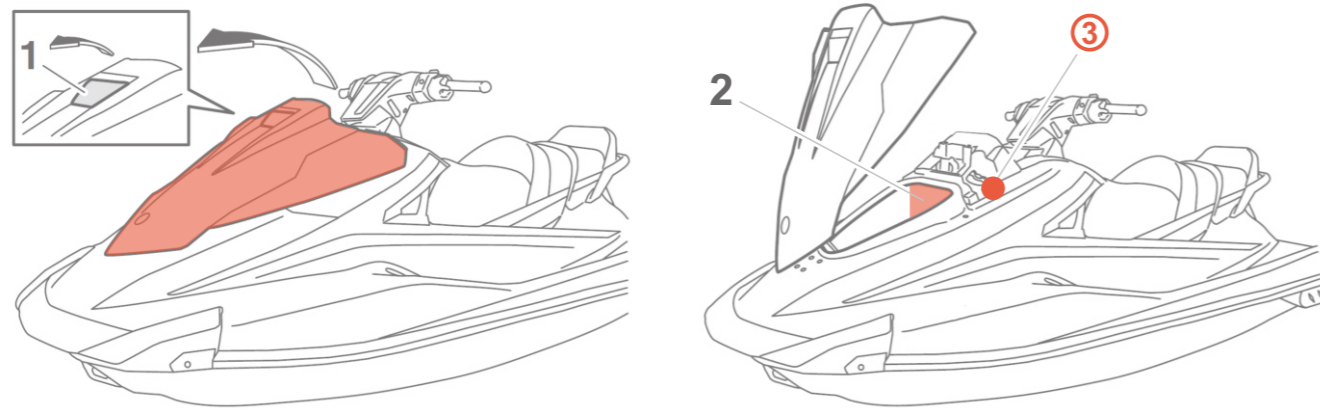
## Connecting Ototrak

After you have installed Ototrak, lift up the **front seat (4)** to access engine compartment. In the compartment's front right corner you will find the **connectors for power (5) and throttle (6)**. **Buzzer connectors (3)** are located under the bow hood, same as the previously installed **Ototrak module position (3)**. Disconnect Yamaha's throttle, power and buzzer connections and then connect Ototrak cables as shown below.



## Ototrak installment position

Lift up the hood by releasing **hood latch (1)**. Underneath is a bow storage compartment. Remove storage compartment's **side cover (2)** and under the steering (handlebar) you will find **buzzer connectors (3)**. **Module (3)** is installed inside, under the handlebar.



**NOTE:** For GPS to work correctly, module must be installed with antenna side (indicated by the IMEI sticker) facing upwards (towards the sky).

